

XIAMEN USAIL INDUSTRY AND TRADE CO., LTD



12/24v DC Sewage Pumps

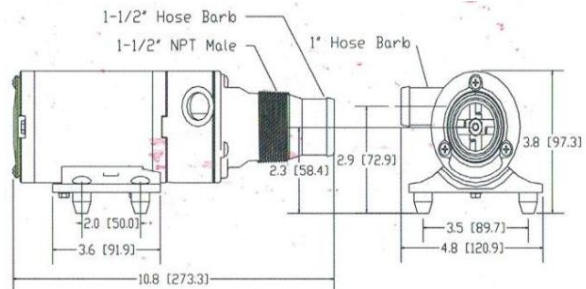
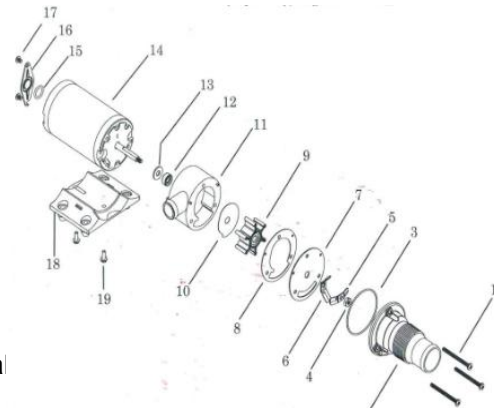
Macerator pump/Marine Pump

This sewage pump is designed specifically for sanitation waste and fish box evacuations. This high-powered pump incorporates our high quality motor with a new seamless shell and splash proof design. The Macerator features a premium impeller design and includes o-ring sealed end bells to withstand the harsh marine environment. The pump runs with superior performance while delivering up to 13GPM (49.20LPM). Power available in both 12VDC and 24VDC.



Specifications:

- 1, Pump Head 2 chambers
- 2, Open Flow 49L/Min
- 3, Max Pressure no pressure
- 4, Motor Configuration lead wires 2-pin connector
- 5, 2-pin connector with on/off switch
- 6, Inlet/ outlet size 2"(50mm)/1"(25mm)
- 7, Pump grinds waste into small particles for easy disposal
- 8, Motor Voltage 12 VDC/24V



Technical Data:

Items No	Voltage (v)	Open Flow rate	Pressure off	Amps (A)	N.W/G. W	Dimension (10pcs/ctn)
FL-65A	12Vdc	49.2	No	10.0	2.35/2.6	51.5*42*32cm
FL-65B	24Vdc	49.2	No	5.0	2.35/2.6	51.5*42*32cm